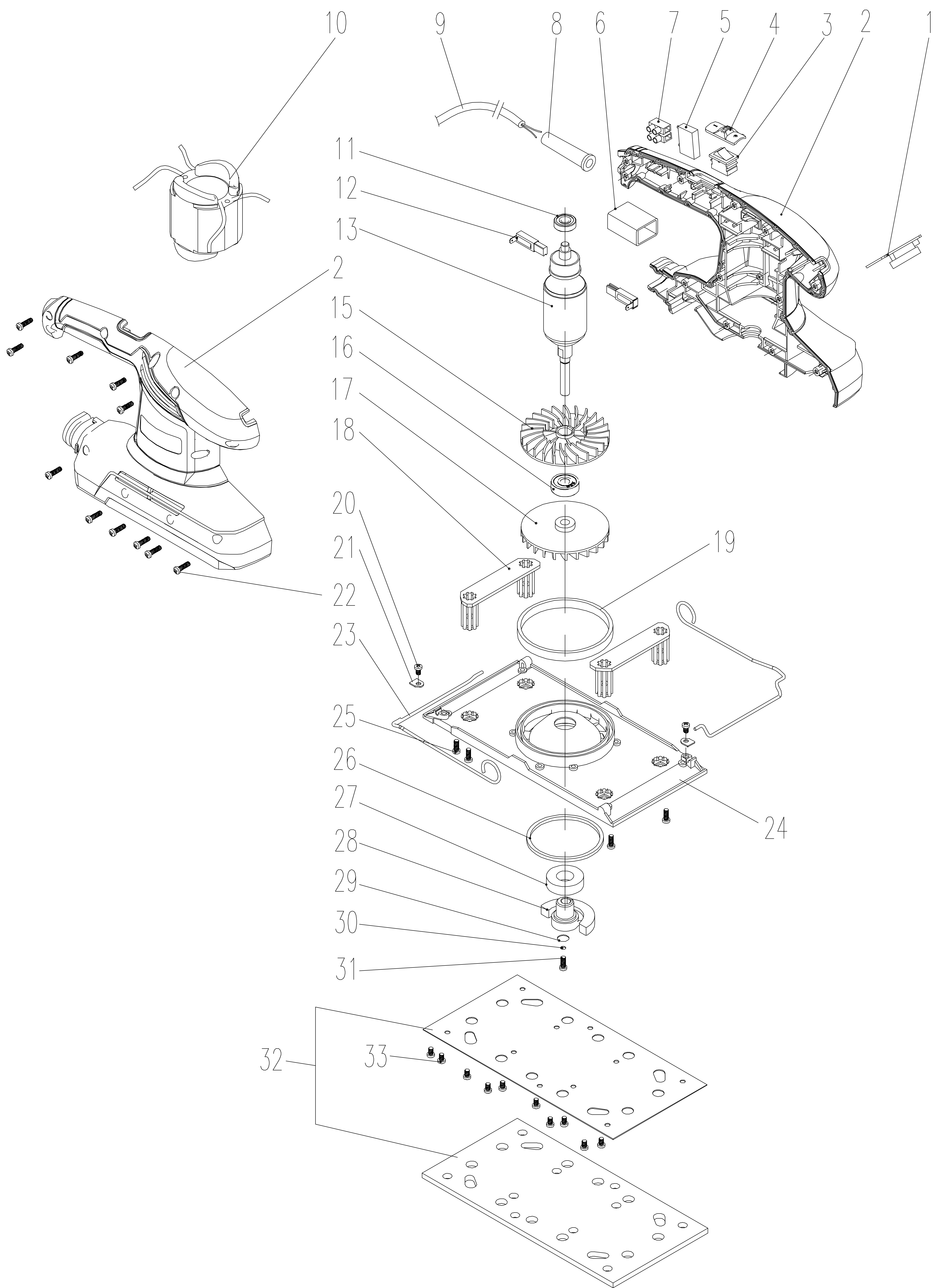


DX44

Version:00
Date:200402



Model No	Position No	Material No	Description	QTY	Remarks	Recommended order ratio	Serial No
DX44	1	60059345	PCB	1		5%	
DX44	2	60059346	Left/Right housing	1			
DX44	3	60059347	Switch	1		5%	
DX44	4	60059348	Switch lock	1			
DX44	5	60059349	Capacitor	1			
DX44	6	60059350	Take over	1			
DX44	7	60059351	Cord Protector	1			
DX44	8	60059352	Cord Protector	1			
DX44	9	60059353	Power cord	1	for EU,AE-VDE	1%	
DX44	9	60067028	Power cord	1	for UK,AE-BS	1%	
DX44	9	60068665	Power cord	1	for RU	1%	
DX44	10	60059354	Stator	1		3%	
DX44	11	60059355	Bearing 607	1		3%	
DX44	12	60059356	Carbon Brush(pair)	1		5%	
DX44	13	60059357	Rotor	1		3%	
DX44	15	60059358	Fan	1		3%	
DX44	16	60059359	Bearing 628	1		3%	
DX44	17	60059360	Absorb dust fan	1		3%	
DX44	18	60059361	Support	2		3%	
DX44	19	60059362	Dust proof	1			
DX44	20	60059363	Self tapping screw	2			
DX44	21	60059364	Steel Wire Cover	2			
DX44	22	60059365	Self tapping screw	12			
DX44	23	60059366	Clamp	2		1%	
DX44	24	60059367	Aluminium Base plate	1		1%	
DX44	25	60059368	Self tapping screw	4			
DX44	26	60059369	Dust proof	1			
DX44	27	60059370	Bearing 6002	1		3%	
DX44	28	60059371	Eccentric Wheel	1		1%	
DX44	29	60059372	Washer	1			
DX44	30	60059373	Washer	1			
DX44	31	60059374	Screw	1			
DX44	32	60059375	Aluminium Plate&Foam base	1		3%	
DX44	33	60059376	Self tapping screw	10			